

STEADY-ON & FLASHING BEACONS



LED MICROSTACK™

Stackable Modules

The Tomar model PRE-F Microstack is a flashing or steady burning modular light tower. It is ideally suited for machine-status or process control signaling applications. Consisting of a long life, high-output, and vibration resistant LED lamp cluster, the PRE-F is designed to increase productivity and greatly reduce maintenance costs. The unique prism-cut lens design assures superior light diffusion and greater lens fill. All components, including the LED's, are warranted for a full 5 years.

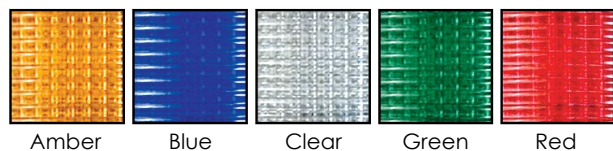
The model PRE-F is available from one to five-high configuration and in 24 VDC/AC, 120 VAC, and 240 VAC versions.

With the built-in Flasher, each light module can be individually controlled for Flashing or Steady-on mode. An optional 80 dB Sounder is available which can be Factory installed or easily added later.

Pre-wired and pre-assembled, each unit is ready for installation right out of the box. If required, the lenses can be separated without tools by simply twisting and pulling them apart.

- 5-year warranty
- High power LED cluster
- Built-in Flasher
- 80 FPM
- CE Compliant
- 24 VDC/AC, 120 VAC, and 240 VAC
- 100,000 hour lamp life
- 56 mm (2.2") diameter
- IP 56
- Factory assembled
- 80 db Optional Sounder

Lens Colors



Amber

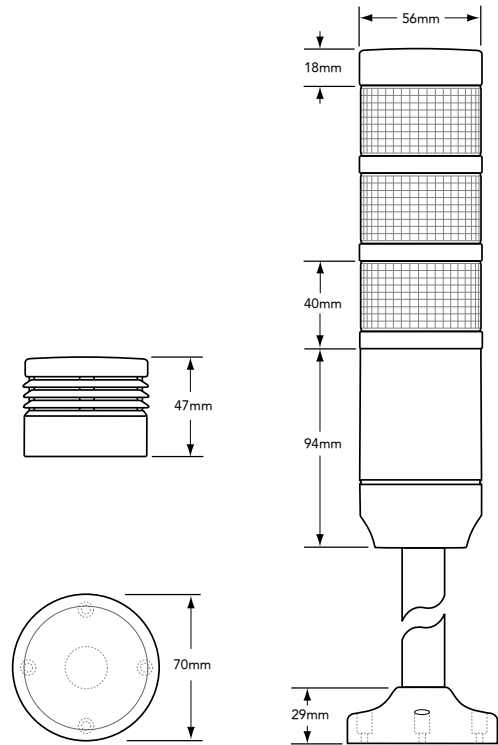
Blue

Clear

Green

Red

LED MICROSTACK



Ordering Information

| Model Description | Voltage | Amp Draw |
|------------------------------------|-----------|----------|
| PRE-F-1-024 LED Microstack, 1-High | 24 VCD/AC | 28 mA |
| PRE-F-1-120 LED Microstack, 1-High | 120 VAC | 25 mA |
| PRE-F-1-240 LED Microstack, 1-High | 240 VAC | 25 mA |
| | | |
| PRE-F-2-024 LED Microstack, 2-High | 24 VCD/AC | 62 mA |
| PRE-F-2-120 LED Microstack, 2-High | 120 VAC | 57 mA |
| PRE-F-2-240 LED Microstack, 2-High | 240 VAC | 57 mA |
| | | |
| PRE-F-3-024 LED Microstack, 3-High | 24 VCD/AC | 102 mA |
| PRE-F-3-120 LED Microstack, 3-High | 120 VAC | 91 mA |
| PRE-F-3-240 LED Microstack, 3-High | 240 VAC | 91 mA |
| | | |
| PRE-F-4-024 LED Microstack, 4-High | 24 VCD/AC | 136 mA |
| PRE-F-4-120 LED Microstack, 4-High | 120 VAC | 124 mA |
| PRE-F-4-240 LED Microstack, 4-High | 240 VAC | 124 mA |
| | | |
| PRE-F-5-024 LED Microstack, 5-High | 24 VCD/AC | 169 mA |
| PRE-F-5-120 LED Microstack, 5-High | 120 VAC | 155 mA |
| PRE-F-5-240 LED Microstack, 5-High | 240 VAC | 155 mA |

Specifications

| Item | Description |
|------------|--|
| Lamp Type | LED |
| Lamp Life | 100,000 hours |
| Flash Rate | 80 flashes per minute |
| Sounder | 80 db @ 1m |
| Net weight | 1 high - .9 lbs. 2 high - 1.1 lbs 3 high - 1.3 lbs 4 high - 1.5 lbs 5 high - 1.7 lbs |

Accessories

| Item | Description |
|----------|---|
| MAP-0022 | Pole, 22 mm |
| MAP-N033 | Pole, 33 mm with 1/2" NPT threads |
| MAP-M043 | Pole, 43 mm with M20 nuts |
| MAP-0240 | Pole, 240 mm |
| MAP-M240 | Pole, 240 mm with (2) M20 nuts |
| MAP-0750 | Pole, 750 mm |
| MAP-M750 | Pole, 750 mm with (2) M20 nuts |
| MAM-B070 | Tulip base, 70 mm (2.75") diameter |
| MAM-DS25 | Wall mount "L" bracket for M20 pole and nut |
| MAM-DS30 | Wall mount bracket |
| MPZ56E | Sounder, 24 VDC/AC to 240 VAC |