



500L MICRO LITE™

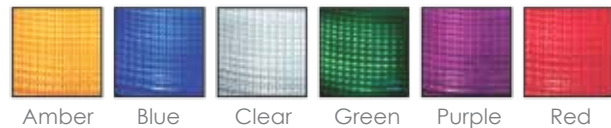
Tomar model 500L warning light features a super bright white LED light engine and choice of six interchangeable color lenses.

All electronic components are encapsulated in polyurethane for unparalleled protection against moisture and vibration. It is available in 12-24 Volt, and is warranted for a full 5 years.

The 500L offers a choice of 21 programmable flash modes plus Steady burn, and the LED light source is rated at 100,000 hours of operation.

- 12 – 24 VAC/DC
- universal mounting
- 100,000 hour LED lamp
- five year warranty
- NEMA 4X

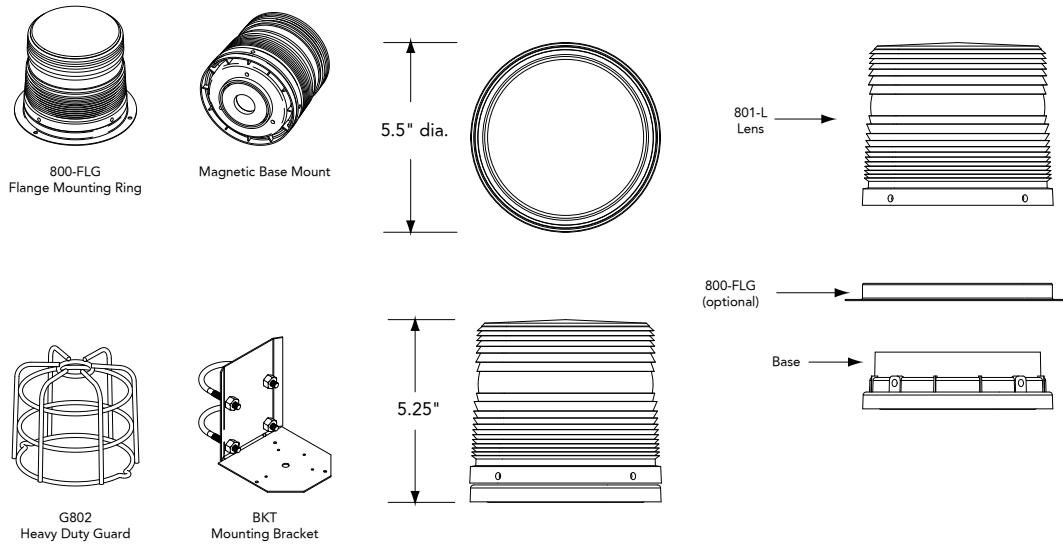
Lens Colors



Ordering Information

Please specify lens colors and model number when ordering. Available colors are Amber, Blue, Clear, Green, Purple and Red.

Model No.	Description	Voltage
500L-1224	DC strobe, 1/2" female pipe mount	12-24 VAC/DC



Specifications

Item	Description
Flash Rate	21 flash rates plus steady burn
Light Output	43 candela
Voltage and Amperage	0.3 A @ 24VDC flashing - 0.15A steady burn
Size and Weight	5.25" tall x 5.5" dia. x 2.0 lbs (133mm x 140mm x 0.9kg)
Encapsulation	Fully potted in urethane material with no exposure to High Voltage possible
Operating Temperature	-40° to 65° C

Available Options

NOTE: All "/" options are factory installed only.

Model No.	Description
BKT	Mounting bracket
/LBO-MINILITE	Lens blackout segment 180°
802-03	Lens dust cover
G802	Guard
TBO-MAXI	Top lens blackout
800-FLG	Flange mounting ring
MINILITE SHIELD	Vinyl, 180° shield