

# INSTRUCTION SHEET FOR SPK100 UNIVERSAL MOUNT AND SPK100-BKT FORD CROWN VICTORIA MOUNT

## INSTALLER SAFETY MESSAGE

The safe installation of the Tomar SPK100 compact siren speaker is your first priority. All instructions listed here should be followed and common sense applied to each speaker installation to insure safety. TOMAR field service should be called if you have any questions.

Some important precautions and instructions:

- Installers should have a good understanding of automotive electrical and mechanical systems. The quality of work should equal or surpass OEM standards.
- Protect the vehicle components when drilling into the radiator support bar. Metal chips and sharp edges must not be left in the vehicle engine compartment. Check to see that the drill bit will not damage surrounding components of the vehicle.
- Review instruction sheet and make sure you understand each step of the installation before you begin.
- File these instructions in a safe place for future reference.

## WARNING: USE CAUTION AND HEARING PROTECTION TO AVOID HEARING DAMAGE WHEN TESTING SPK100 SIREN SPEAKER.

### I. GENERAL INFORMATION

This instruction sheet provides a procedure to install the SPK100 siren speaker using the universal Bracket (provided) or the Ford Crown Victoria bracket (purchased separately).

### II. UNPACKING

Check to see that all components shown below are included. The SPK100 includes the siren speaker, a U Bracket, IS0469A installation sheet and a hardware package that includes:

- Qty. (2) 1/4" x 20 screw (H381)
- Qty. (2) 1/4" x 20 nut (H12)
- Qty. (6) 1/4" external lock washer (H14)
- Qty. (4) 1/4" x 5/8" thread forming screw (H524)
- Qty. (1) H518A-P Crown Vic bracket (optional)

### III. INSTALLATION USING UNIVERSAL U BRACKET

- A. Locate an area under the vehicle hood that will allow the speaker to be installed free from obstructions.

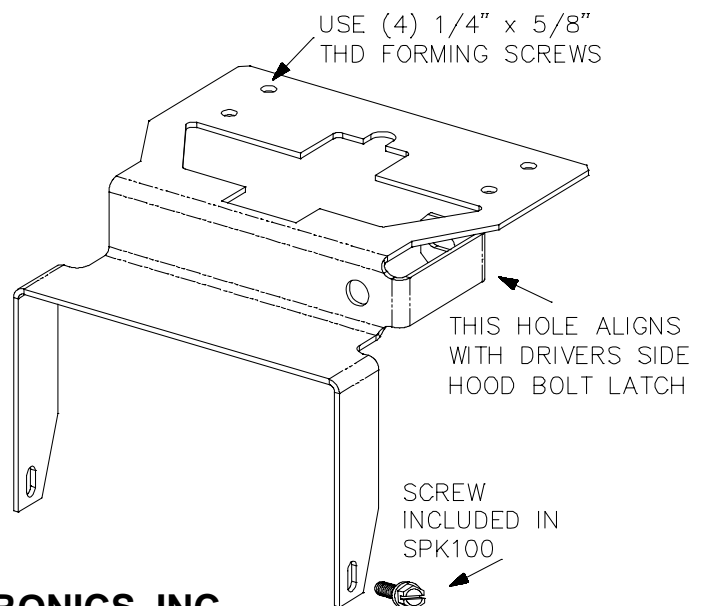
**THE SPEAKER MUST BE PLACED FACING THE VEHICLE GRILLE TO AVOID SOUND LOSS. PLEASE NOTE THAT THE SPEAKER HAS A TOP AND BOTTOM (STAMPED ON BACK OF SPEAKER). THE U BRACKET SHOULD BE ADJUSTED TO EXTEND OVER THE TOP OF THE SPEAKER.**

- B. Drill 2 (two) 1/4" holes for mounting the bracket.  
C. Install the siren speaker using the (2) 1/4 X 20 screws, (2) of the lock washers and (2) 1/4" nuts provided and tighten firmly.  
D. Connect the siren speakers to power source.  
E. Inspect siren speaker periodically to ensure that bracket stays securely mounted to vehicle.

### IV. INSTALLATION USING OPTIONAL FORD CROWN VICTORIA BRACKET

#### NOTE: FORD CROWN VICTORIA BRACKET WILL FIT 1995 TO CURRENT YEAR FORD CROWN VICS

- A. Open the Crown Victoria hood and locate the plastic panel covering the radiator area.  
B. Unsnap and remove front grill.  
C. Locate, remove and retain the plastic knobs and remove panel.  
D. Locate, remove and retain the driver side hood latch bolt.  
E. Align H518A-P Crown Vic bracket over the hood latch assembly so that it is seated firmly on the radiator support bar.  
F. Replace the driver side hood latch bolt.  
G. Using the H518A-P bracket as a template, drill (4) 3/16" holes into the radiator support bar.  
H. Install (4) 1/4" x 5/8" thread forming screws and (4) lock washers into the holes just drilled.  
I. Attach the SPK100 Speaker to the Crown Victoria Bracket (H518A-P) using hardware included with the speaker.  
J. Connect the siren speaker wires to power source and test.  
K. Re-install plastic panel and replace the plastic knobs.  
L. Snap to re-install front grill.  
M. Inspect siren speaker periodically to ensure that bracket stays securely mounted to vehicle.



**TOMAR ELECTRONICS, INC.**

**2100 WEST OBISPO GILBERT, ARIZONA 85233 USA**

**(800) 338-3133 \* (480) 497-4400 \* FAX (480) 497-4416**

**www.tomar.com \* sales@tomar.com**