



SUPER EXPLOSION-PROOF STROBE 7024BEP & 7120BEP SERIES

FOR CLASS I, GROUPS C & D
CLASS II, GROUPS E, F, & G
CLASS III, HAZARDOUS LOCATIONS
OUTDOORS (NEMA 3R & 4)



INSTALLATION, OPERATION AND MAINTENANCE DATA SHEET

IMPORTANT - Before installing, check the carton label and fixture nameplate to be sure you have the correct type of fixture. Read all instructions before proceeding.

WARNING - Deactivate circuit before beginning installation.

NOTE: All installations must comply with applicable local and or National Electrical Code.

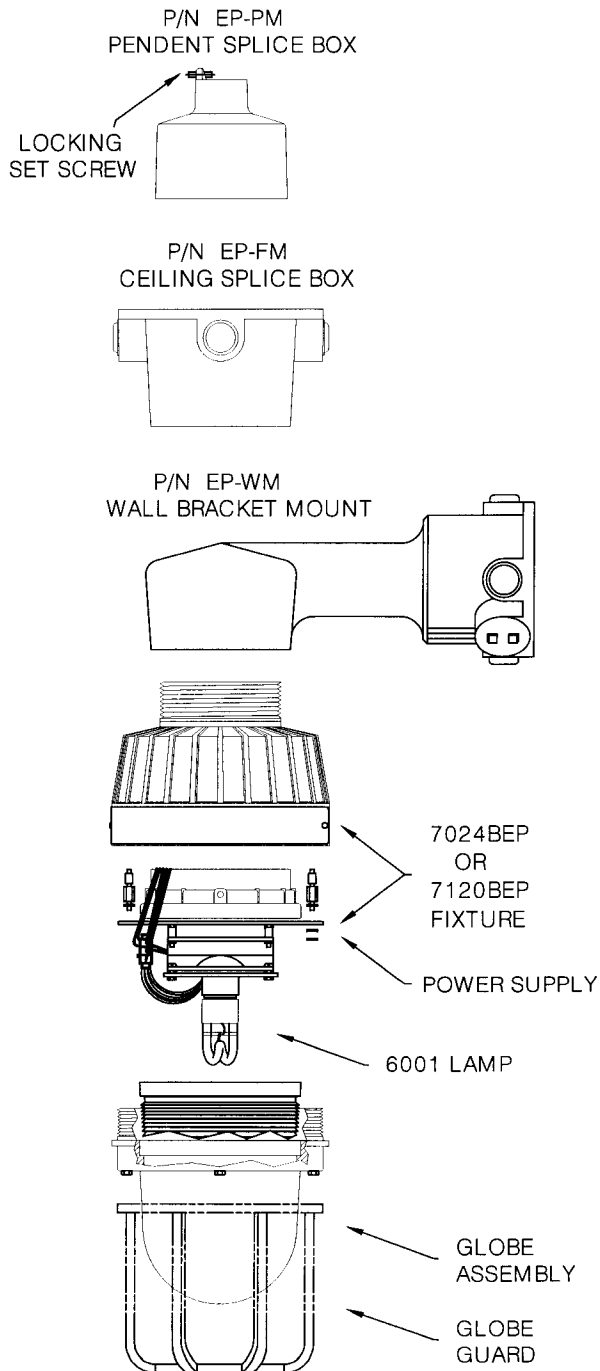
INSTALLATION:

1. Using the component drawing shown here, remove the splice box from the fixture (if attached).
2. Refer to the splice box mount instruction sheet K1087 included with the splice box. Install the pendent mount splice box to the conduit and secure with locking set screw. Install the ceiling mount using four (4) external mounting screws.

NOTE: Fixture splice box must be grounded.

3. Remove the terminal block from the splice box by loosening the two (2) mounting screws.
4. Connect the ground wire to the green screw inside the base of the splice box.
5. Connect the supply lines to the terminal block. (NOTE: For DC voltage the terminal block is to be wired "POS" (+) to the "LINE" terminal and "NEG" (-) to the "COM" or "WHITE" terminal.)
6. Reinstall the terminal block in the splice box, and securely tighten it in place.
7. Thread the fixture into the splice box and secure with the set screw. Be sure that the mating threads are clean and adequately lubricated.
8. Check the tightness of all set screws and all threaded joints. Turn on the supplying circuit to test the fixture.

Save the installation instructions for maintenance personnel.



COMPONENT DRAWING

IS0230-02
061402

TOMAR Electronics, Inc.
2100 West Obispo Gilbert, Arizona 85233 USA
(480) 497-4400 (800) 338-3133
FAX (480) 497-4416 (800) 688-6627
E-mail: sales@tomar.com
www.tomar.com

OPERATIONAL DATA

Operate this fixture at its rated voltage. See fixture nameplate for this data.

MAINTENANCE DATA

CAUTION: Disconnect the supplying circuit before opening or relamping this fixture.

To Relamp:

Loosen the set screw and unscrew the globe support assembly.

Remove and replace the 6001 Lamp and Heat Shrink tubing around the lamp.

Inspect the mating threads to be sure they are clean and well lubricated. Inspect the globe for scratches. NOTE: If the globe is scratched or chipped, the globe support assembly must be replaced.

Reinstall the globe assembly.

When relamping, be careful not to damage the external threaded areas, since they maintain the fixtures explosion-proof properties. The threads should be lubricated periodically.

Check the tightness of all set screws and all threaded joints. Turn on the supplying circuit to test the fixture.

To maintain maximum light output from this fixture, it should be cleaned periodically per the following suggestions.

The aluminum exterior of the fixture should be cleaned only with a mild soap or cleaner, and should be rinsed with water immediately. Alkaline or acidic cleaners should never be used on aluminum.

The glass globe may be cleaned with any non-abrasive cleaner. The globe should be regularly inspected for scratches and chips.

These periodic cleaning procedures are important in preventing the accumulation of dust and dirt which will impair the light output of the fixture.

INSTRUCTIONS - FOR SYNCHRONIZING LINE CONNECTION

Customers who wish to use the synchronizing line features, of Models 7120BEP, or 7024BEP, Super Explosion-Proof Strobe must make the following changes to the fixture to allow for the connection of the synchronizing wiring.

1. **SHUT OFF ALL POWER** to the unit and wait 5 minutes before proceeding with step 2.
2. Remove the Guard/Globe Assembly. To do so loosen the set screw and unscrew the globe assembly from the fixture housing.
3. Remove the power supply assembly from the fixture, (which contains the lens, lamp, fan and power supply) by removing the three (3) screws which hold it in place in the fixture housing. Remove the power leads from the terminal block mounted in the base of the fixture housing.
4. Use a 5/16" nut driver or socket wrench to remove the power terminal block hold down clamp. This will allow you to unscrew and remove the terminal block assembly from the base of the fixture housing.
5. Place the fixture in front of you, and using a flat blade screwdriver, remove the terminal block assembly.
6. Install the fixture mounting base to your conduit system, making sure you install and use the proper conduit seals for the application. The removal of the terminal block assembly removes the factory sealing feature of this fixture.
7. Install the fixture housing by screwing it into the base assembly, and then tighten the set screw.
8. Pull the incoming power leads, and synchronizing line leads into the fixture housing.
9. Install the power supply assembly into the fixture housing, by first connecting the power leads together, and the synchronizing leads together. Then install the three (3) screws that hold this assembly to the fixture housing.
10. Screw the Guard/Globe assembly on to the fixture housing, and then tighten the set screw.